

DCM5-P - DIMMING CONTROL MODULE

5 CHANNEL



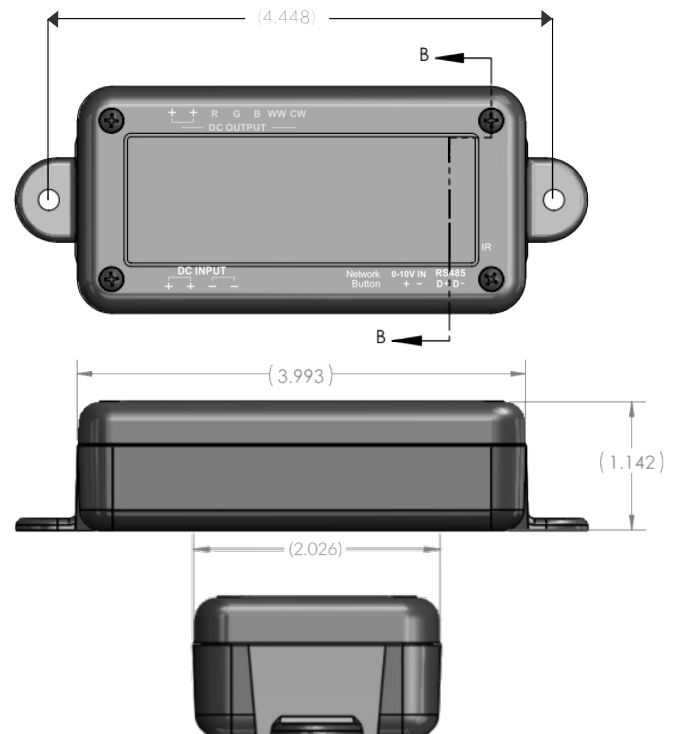
OVERVIEW

The DCM5-Plus, RGB+CCT (aka RGB WWCW) is a high power compact 5 channel, low side, LED Controller, designed to be interfaced with power supplies ranging from 12VDC to 24VDC.

The DCM5-Plus has built in logic to control RGB, RGBW, RGB+CCT, and CCT1 + CCT2 as needed. It can dim CCT1 + CCT2, WW and CW LED loads from 0 to 100% duty cycle, with a maximum output power of 200 watts per channel depending on the voltage.

Low side switching means the controller has a common positive designed to drive common anode LED strips, which is typical for RGB strips. Pulse Width Modulation (PWM) frequency is at 1250 Hz for flicker-free light.

The DCM5-Plus model must be installed in a rated enclosure or electrical box. For surface mounted installations see the DCM5-S. The DCM5-Plus has two network communication channel, ZigBee Pro Wireless or RS485 wired.



INPUT

12V, 200W MAX / 24V, 400W MAX

OUTPUT

- 8.3A MAX per channel, 5 channel, Com Anode, RGB + WWCW
- 12V, 100W MAX / 24V, 200W MAX
- Output Voltage follows input Voltage

Note: RGB LED Strips are wattage rated as if all LEDs were lit at 100%. In reality this is never the case. The power supply for RGB can be sized by RGB strip rating/3, for RGBW at RGBW rating/4.

EXTERNAL CONNECTIONS

Pluggable terminal connectors, 5mm pitch, direct wire type max size 6AWG, 16A max per connection

COMMUNICATION

ZigBee Pro Wireless certified radio module

- FCC ID: WP4LPZM3
- IC:9709A-LPZM3

RS485

- DMX512 (optional) Controller or Slave
- Two wire bus (half duplex)
- Voltage level D+/- inputs: -13v to 16.5v
- Pluggable terminal connector, 3.5mm

RS485 Wiring -

- RS485 standard 32 units maximum.
- 250kbit.
- Cat5 cable, 24 AWG twisted pair
- 4000ft maximum bus length.
- Only Two bus terminations of 120 ohm required, one at both ends of the main bus.

INDOOR USE ONLY

Ambient Conditions, 32 to 77°F (0 to 25°C), RH ≤85% Non-condensing. Dry location only. Must be installed in a rated enclosure or electrical box.

DIMENSIONS

3.993" x 2.026" x 1.142" (w/o flanges)

HOW TO ORDER

axxind.com/dealers

COMPLIANCE/APPROVALS

Listed, Conforms to CSA 250.13 and UL 8750

